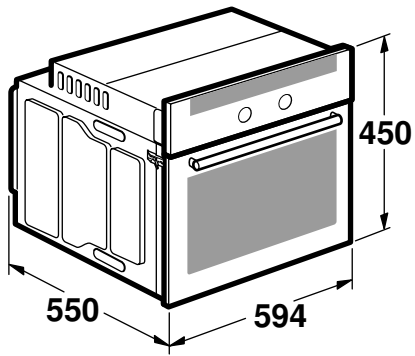
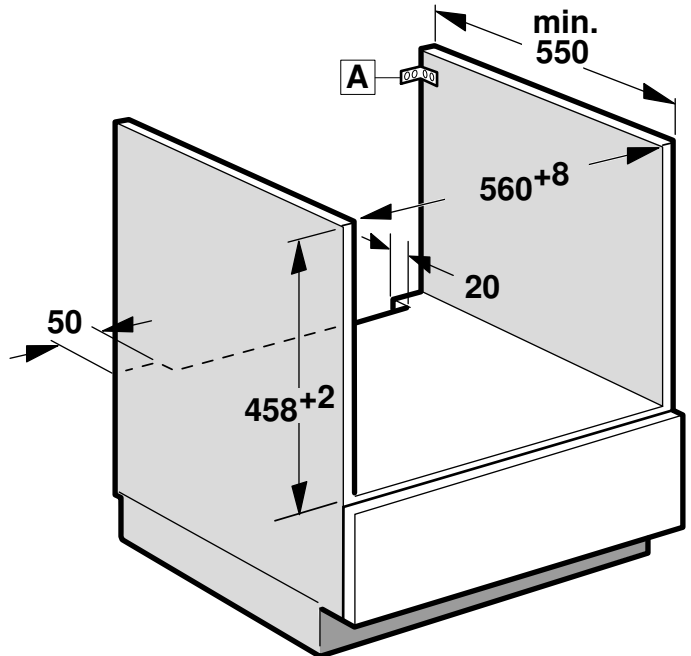
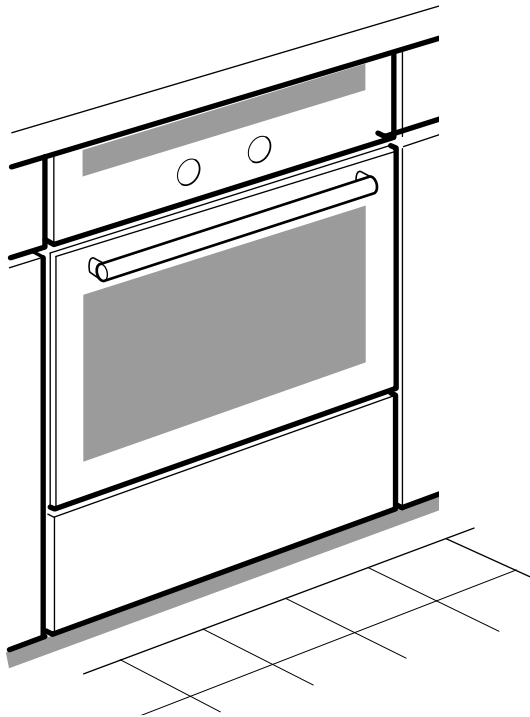




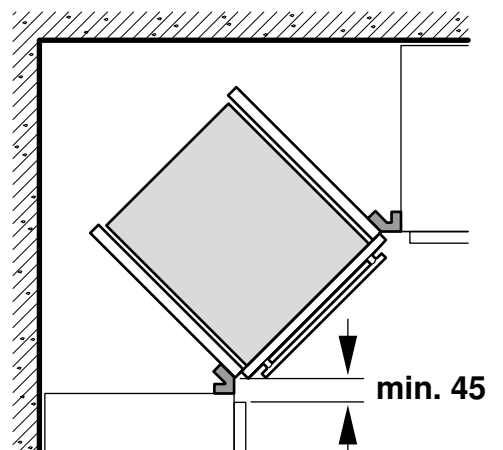
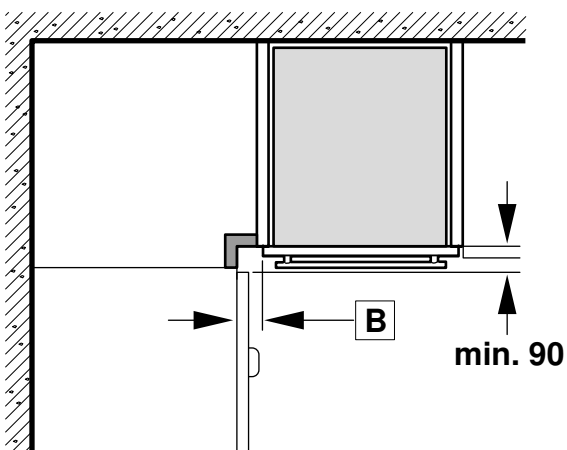
KBO ZH



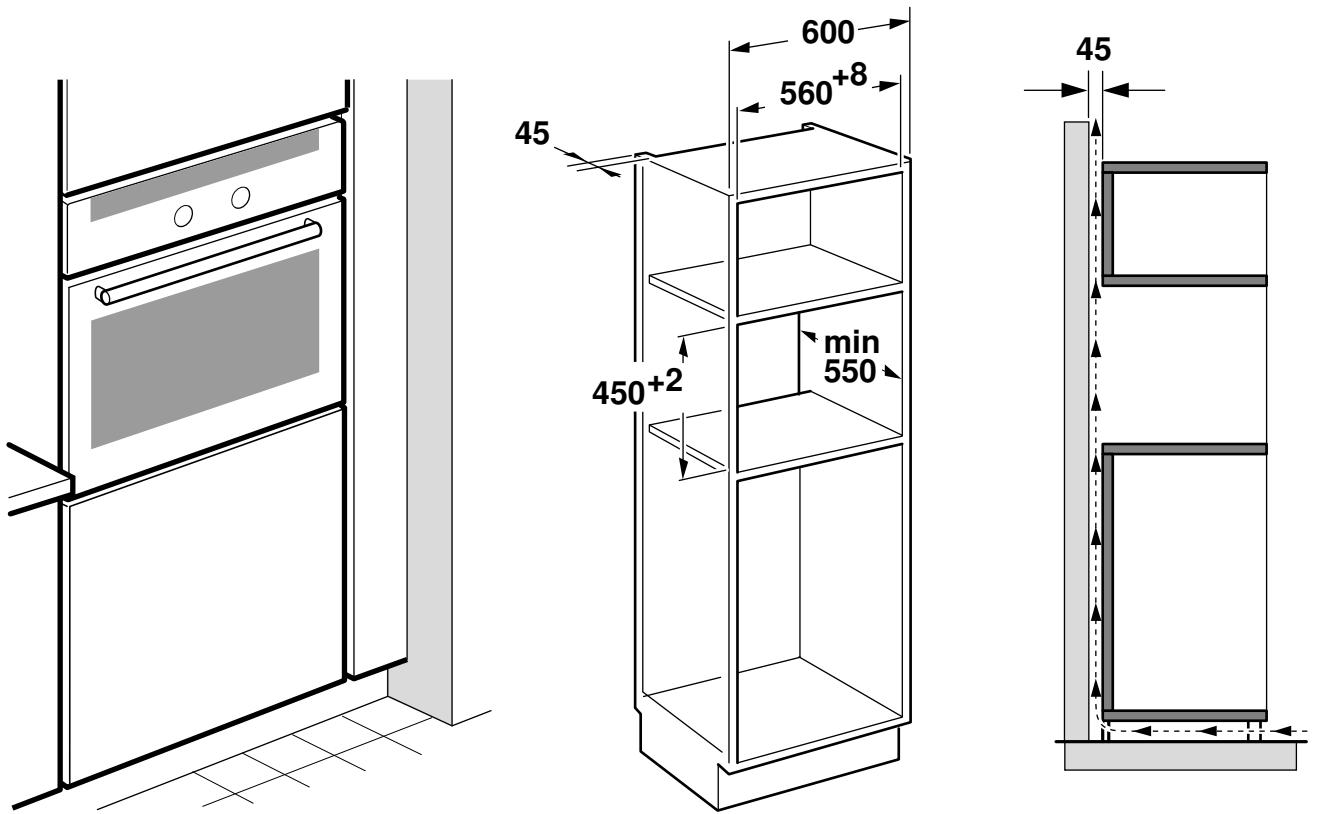
1



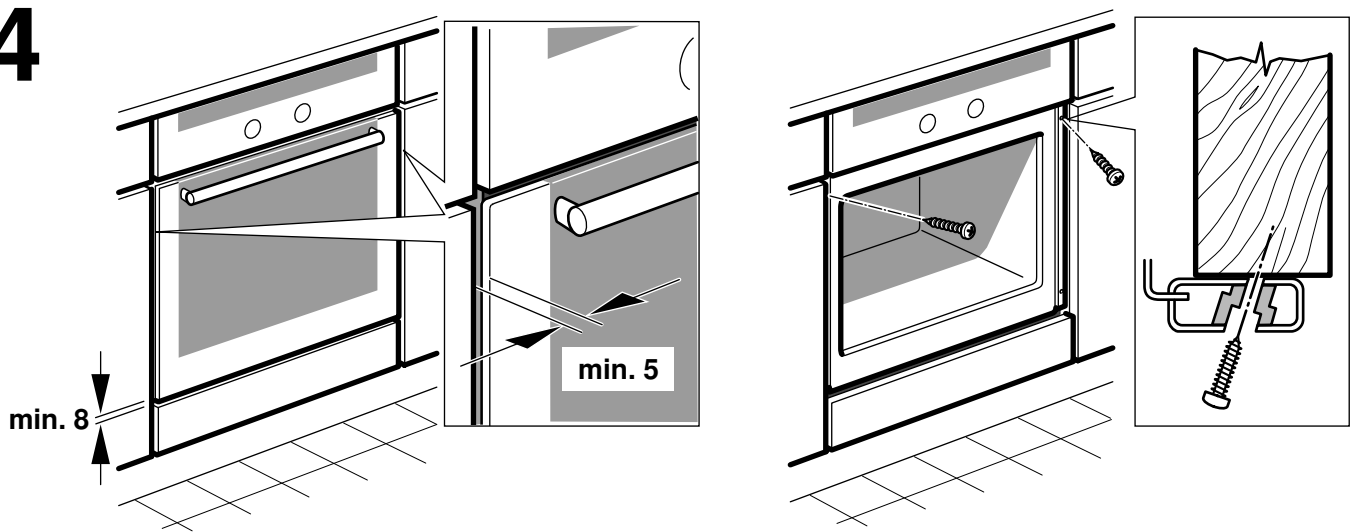
2



3



4



重要说明

本电器最高可在海拔 2000 米的高度使用。
 如将电器安装在电灶下面，请查看电灶的装配说明。
 电磁灶台下方的安装作业，其工作面板厚度必须至少为 50 mm。
 如果电器放在平整表面上，请勿打开电器门。门可能会被损坏。
 不要使用门把手搬动或安装电器；
 安装前请检查电器是否在运输过程中发生损坏。
 开始启动电器前，请先取出烹饪箱中和电器门上的包装材料和胶膜。
 进行安装操作时，电器必须从电源断开。

准备橱柜

只有按照下列操作说明进行专业安装才能保证电器安全使用。由于安装不当导致的任何损坏都由安装人员负责。
 安装烤箱的橱柜必须能够承受最高达 90 °C 的高温，相邻的橱柜必须能够承受最高达 70 °C 的高温。
 切勿将电器安装在装饰面板后面。有过热危险。
 在安装电器前，应对橱柜和工作台进行切割。清除废屑。否则可能会对电气部件的正确操作带来不良影响。
 安装过程中要小心。在安装过程中碰得到的部件可能具有锋利的边缘。戴上防护手套以防割伤。
 使用市售的标准支架 **A** 将独立式橱柜固定到墙壁上。
 将橱柜永久固定到工作台上。

将电器安装在工作台下 图 1

为了便于电器通风，中间地板和墙壁之间必须至少有 45 mm 的间距。
 切勿使用附加木条将工作台和电器之间的间隙封闭起来。

转角处的安装 - 图 2

在转角处安装时，请检查最小距离。确保为橱柜面板及其手柄留有足够的距离 **B**。检查电器门是否可以正确打开。

将电器安装在高柜中 - 图 3

为了便于电器通风，中间隔板和墙壁之间必须至少有 45 mm 的间距。
 电器的安装高度必须便于轻松拆卸附件。
 也可将电器安装在由同一制造商制造的通风良好的烤箱上方或安装在冰箱上方。

连接电器电源

本电器带有插头，只能使用附带的电源线进行连接。
 熔断保护必须符合电器铭牌上指定的额定功率以及符合当地规定。
 电器只能连接至安装正确的带保护触点的插座。
 安装后，如果插头使用不便，则必须在安装侧安装一个全电极隔离开关，触点间隙至少为 3 mm。
 安装方式必须能确保接触保护。

将电器紧固到位 - 图 4

1. 将电器完全推入。请勿缠绕或卡住电源线，也不要锋利的边缘上布置电源线。
2. 将电器居中放置。
电器和相邻橱柜之间必须保留 5 mm 的气孔间距。
3. 使用水平仪设置电器水平度，使其完全水平。
4. 用螺丝将电器拧紧到位。

拆卸

1. 断开电器电源。
2. 拧开固定螺钉。
3. 稍微抬高电器并将其完全拉出。
只能使用由制造商或售后服务处提供的专用替换电源线来更换有问题的电源线。

Important notes

This appliance is intended for use up to a maximum height of 2000 metres above sea level.
 If the appliance is being installed under a hob, refer to the assembly instructions for the hob.
 For installation under an induction hob, the work surface thickness must be min. 50 mm.
 Do not open the appliance door if the appliance is standing on a flat surface. The door may be damaged.
 Do not use the door handle to carry or install the appliance.
 Before installation, check the appliance for transportation damage.

Before starting up the appliance, remove any packaging material and adhesive film from the cooking compartment and the door.
 The appliance must be disconnected from the power supply during all installation work.

Preparing the kitchen units

Safe use of this appliance can only be guaranteed if it has been installed professionally in accordance with these installation instructions. The installer is liable for damages incurred as a result of incorrect installation.

Units into which ovens are to be fitted must be heat-resistant up to 90 °C and adjacent cabinets up to 70 °C.

Do not install the appliance behind a decorative panel. There is a risk of overheating.

Carry out all cut-out work on the furniture unit and worktop before fitting the appliances. Remove shavings. Otherwise, the correct operation of electrical components may be adversely affected.

Caution during installation. Parts that are accessible during installation may have sharp edges. Wear protective gloves to prevent injury from cuts.

Secure freestanding units to the wall using standard, commercially available brackets **A**.

Permanently fix furniture units to the worktop.

Appliance under worktop - Fig. 1

To ventilate the appliance, there must be a gap of 45 mm between the intermediate floor and the wall.

The gap between the worktop and the appliance must not be closed using additional battens.

Corner installation - Fig. 2

For corner installation, check minimum clearances. Ensure that there is sufficient clearance **B** for the front panel and its handles. Check that the appliance door can be opened properly.

Appliance in a tall unit - Fig. 3

To ventilate the appliance, there must be a gap of 45 mm between all intermediate floors and the wall.

Only fit the appliance up to a height which allows accessories to be easily removed.

The appliance can also be fitted above a ventilated oven made by the same manufacturer or above a cooling unit.

Connecting the appliance to the power supply

The appliance is fitted with a plug and must only be connected using the power cable provided.

The fuse protection must correspond to the power rating specified on the appliance's rating plate and to local regulations.

The appliance must only be connected to a protective contact socket which has been correctly installed.

If the plug is no longer accessible following installation, an all-pole disconnection switch must be present on the installation side with a contact gap of at least 3 mm.

Contact protection must be ensured by the method of installation.

Fixing the appliance in place - Fig. 4

1. Fully insert the appliance. Do not kink or trap the power cable, or route it over sharp edges.
2. Centre the appliance.
There must be an air gap of 5 mm between the appliance and adjacent cabinets.
3. Using a spirit level, adjust the appliance so that it is perfectly level.
4. Screw the appliance firmly in place.

Removal

1. Disconnect the appliance from the power supply.
2. Undo the securing screws.
3. Lift the appliance slightly and pull it out completely.
A faulty power cable must only be replaced by a special replacement power cable from the manufacturer or from after-sales service.